

1 2 3 4 5 6 7 8

A

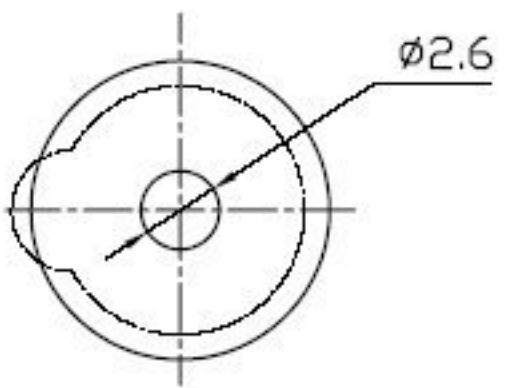
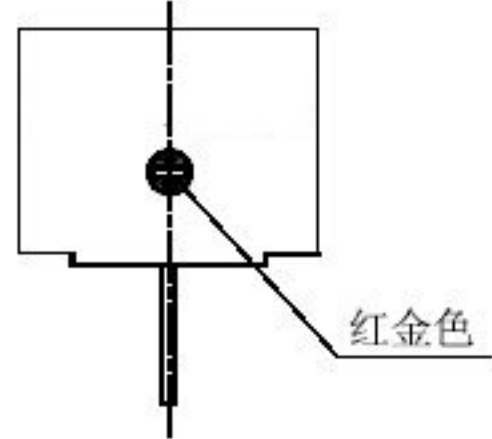
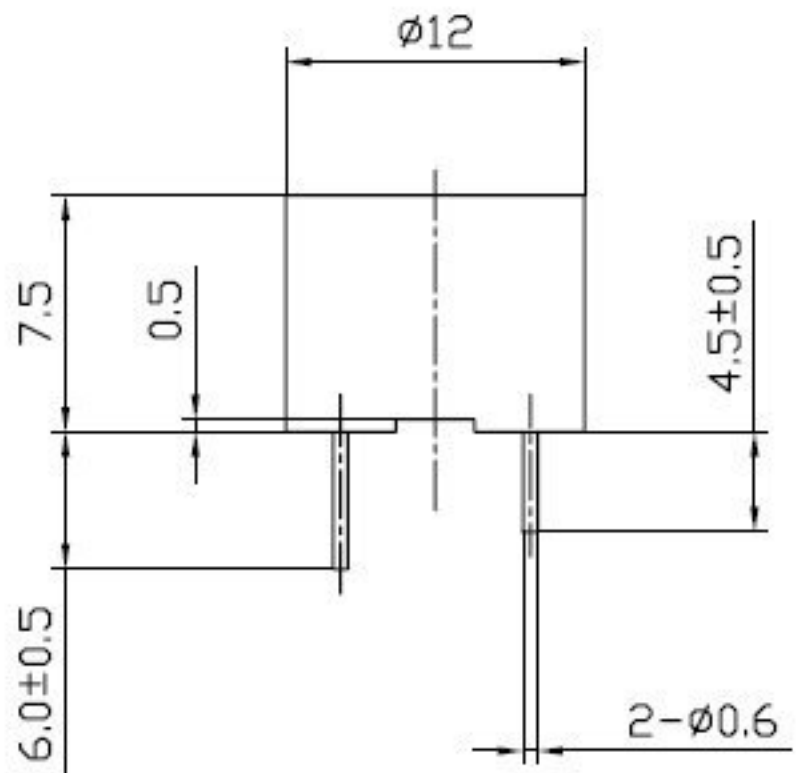
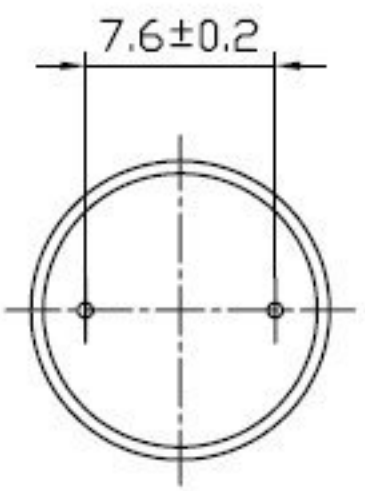
B

C

D

E

F



SPECIFICATION

- 1. Rated Voltage 3VDC
- 2. Operating Voltage 2~5VDC
- 3. Max. Rated Current 30mA/3VDC
- 4. Min. Sound Pressure Level 85dB/10cm
- 5. Resonant Frequency 2300±500Hz
- 6. Response Time 50ms
- 7. Case Material PBT
- 8. Operating Temperature -30~+80°C
- 9. Store Temperature -30~+80°C
- 10. Weight 2g

NINGBO IMPROVING ELECTRONIC CO.,LTD

No.		DESCRIPTION	APPROVED	DATE	Magnetic Buzzer	
					CFG03	
TOLERANCES UNLESS NOTED OTHERWISE		APPROVALS		DATE	UNIT	DWG NO.
X	*	DRAWN			mm	840.693
XX	+	CHECKED				
XXX	+	APPROVED		04.09.03	SCALE	SHEET
90° FORMED ±2°		FIRST ANGLE PROJECTION			NOT TO SCALE	VER 1.3
ANGLES ±1°						

1 2 3 4 5 6 7 8