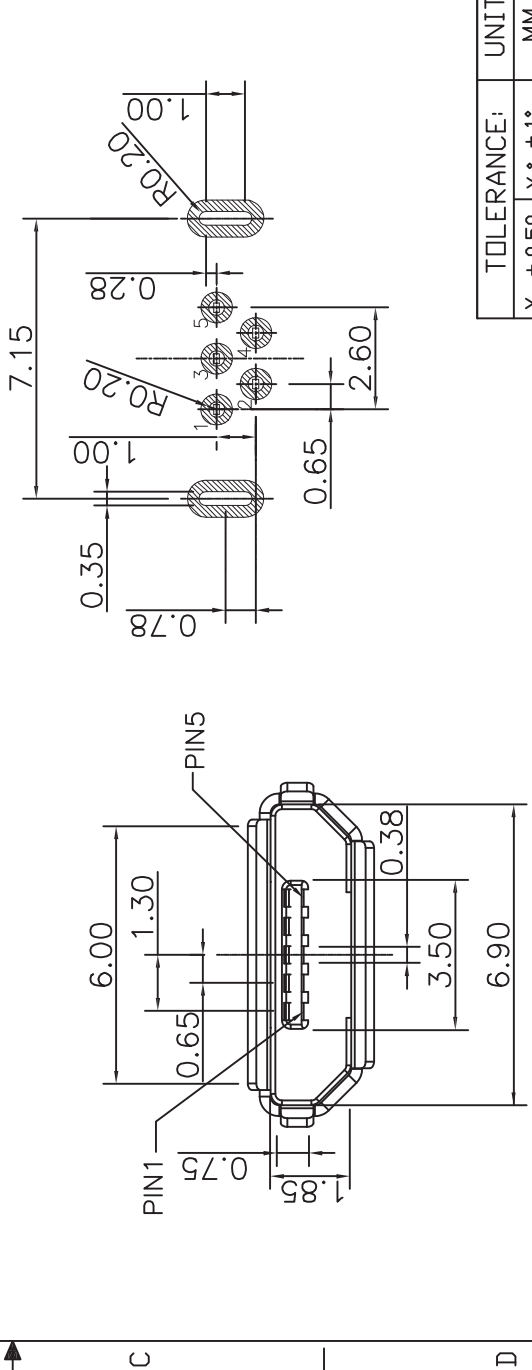
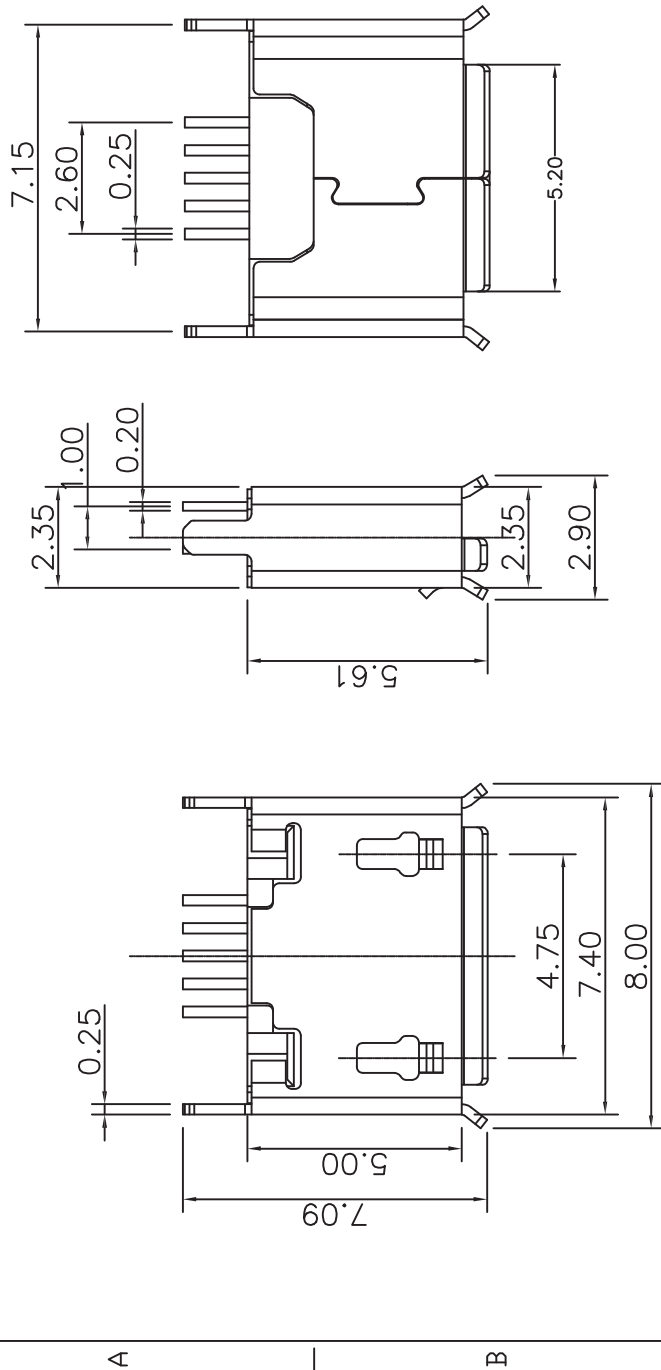


-NOTES-

1. Electrical:
 - Contact resistance: 50m ohms max.
 - Dielectric withstanding voltage: 250V RMS.
 - Insulation resistance: 50M ohms min.
2. Mechanical:
 - MATE AND UNMATE FORCE: MATE FORCE: 3.0kg MAX UNMATE FORCE: 1.02kg MIN
 - Durability: 3000cycles MIN.
3. Environment:
 - Operating Temperature: -20° to +85°.
4. FINISH:
 - TERMINAL: GOLD Plated Over NICKEL
 - Contact area, TIN ON SOLDER TAIL AREA.
5. COLOR:
 - SHELL: SUS WITH TIN Plated.
 - HOUSING: BLACK.



MUB5B-01XXB002

Contact Finish:
 00: Material 10: 10u"Gold
 01: G/F 15: 15u"Gold
 05: 5u"Gold 30: 30u"Gold



Wellco T&C Co., Ltd.

UNIT	MM	P/N:	MUB5B-01XXB002
SHEET	1/1	ITEM:	Micro USB 5P B/F DIP 180度
SCALE	1:1	DRAW:	Eva Chen 2010.5.7
REV: A		CHECK:	
APPR:		APPR:	
TOLERANCE:		DRW NO:	C-MUB5B-01XXB002
X. ± 0.50	X.° ± 1°		
.X ± 0.30	.X° ± 1°		
.XX ± 0.20	.XX° ± 1.0°		
.XXX ± 0.10			

LTR	ECN NO	REVISION	RECORD	DRAW	DATE