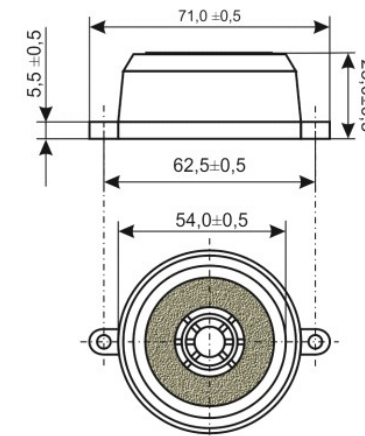




BUZZERS „BCP”

Buzzers produced by our company are used in many branches of industry.
 High quality and a variety of proposed housings enables unlimited use wherever sound signal is necessary.

MODEL	BCP-1	BCP-2
OPERATING VOLTAGE [V AC/DC]	12/24	36/48
CURRENT OPERATING [mA]	20	20
SIGNAL TYPE	continuous/pulsing	continuous/pulsing
SOUND LEVEL [dB]	80/90	80/90
CABLE LENGTH [mm]	110	110
HOUSING COLOR	black	black
HOUSING MATERIAL	ABS	ABS
WEIGHT [g]	40	40
DIAMETER $\pm 0,5$ [mm]	71	71
OTHER PROPERTIES	waterproof, filled with epoxy resin	waterproof, filled with epoxy resin



Additional information:

- high sound level and small dimensions at the same time
- simple and easy to install
- small size and flexible cables allow installation even in difficult to reach places
- type of sound emitted by sirens is clearly associated with an alarm (warning) and cannot be ignored by a person directly in the danger zone
- highest quality and durability as buzzers are produced from the best commercially available components
- protected against moisture, dirt and vibration by appropriate use of epoxy resin

Original Polish product - you are guaranteed that you will not receive a cheap, low quality counterfeit.