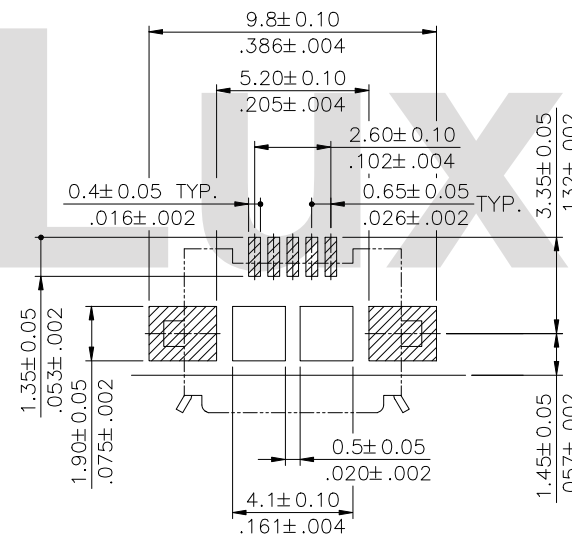
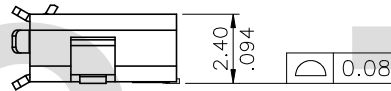
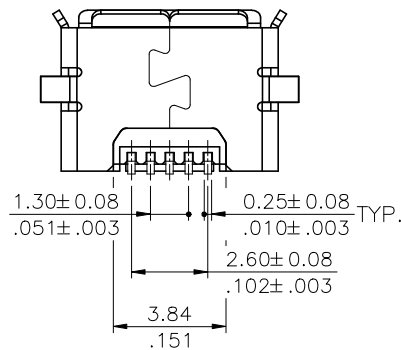
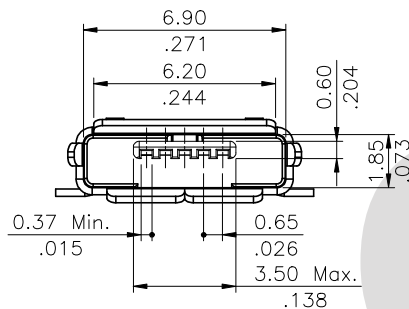
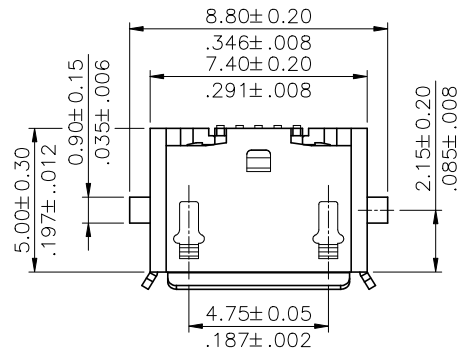


### Ordering Code:

CU09 S 2 M 1 5 C 0  
 ① ② ③ ④ ⑤ ⑥ ⑦ ⑧

- ① Series No.
- ② S= Socket
- ③ Plating option:  
2= Gold flash plated over 1.27μm(50μ") Nickel
- ④ Tail style: M= SMT Type
- ⑤ Insulator Color: 1= Black
- ⑥ No of Circuits: 5= 5 Pin
- ⑦ Type: C= Micro USB 5 Pin Type-AB
- ⑧ Option: 0= Standard



Recommended P.C. Board Layout

### Materials :


- \* Insulation: LCP UL 94V-0
- \* Contacts: Copper Alloy
- \* Shell: SUS

### Electrical

- \* 2.5 Amps (max) shall be applied to Vbus pin and its corresponding GND pin.

Lead Free Process

RoHS Compliant

④					DATE	UNIT: mm / inch	TITLE: MICRO USB 5 PIN SMT BOARD MOUNT CONNECTOR (AB TYPE)	 瀚荃股份有限公司 CviLux Corporation	DRAWING NO.	CU0904SA	PART NO.	CU09S2M15C0
③					DATE	TOLERANCE UNLESS OTHERWISE SPECIFIED	MATERIAL:		SCALE	4 / 1	SHEET	1 OF 1
②					DATE	.X ± 0.20/.008 X' ± 1"	FINISH:					
①					DATE	.XX ± 0.10/.004 X ±						
SYM	NAME	DATE	REVISIONS	APPROVED BY:	DATE	.XXX ± 0.05/.002 XX ±						



DRAWN BY: Karen  
 ENGINEER: Eisley  
 CHECKED BY: David  
 APPROVED BY: David